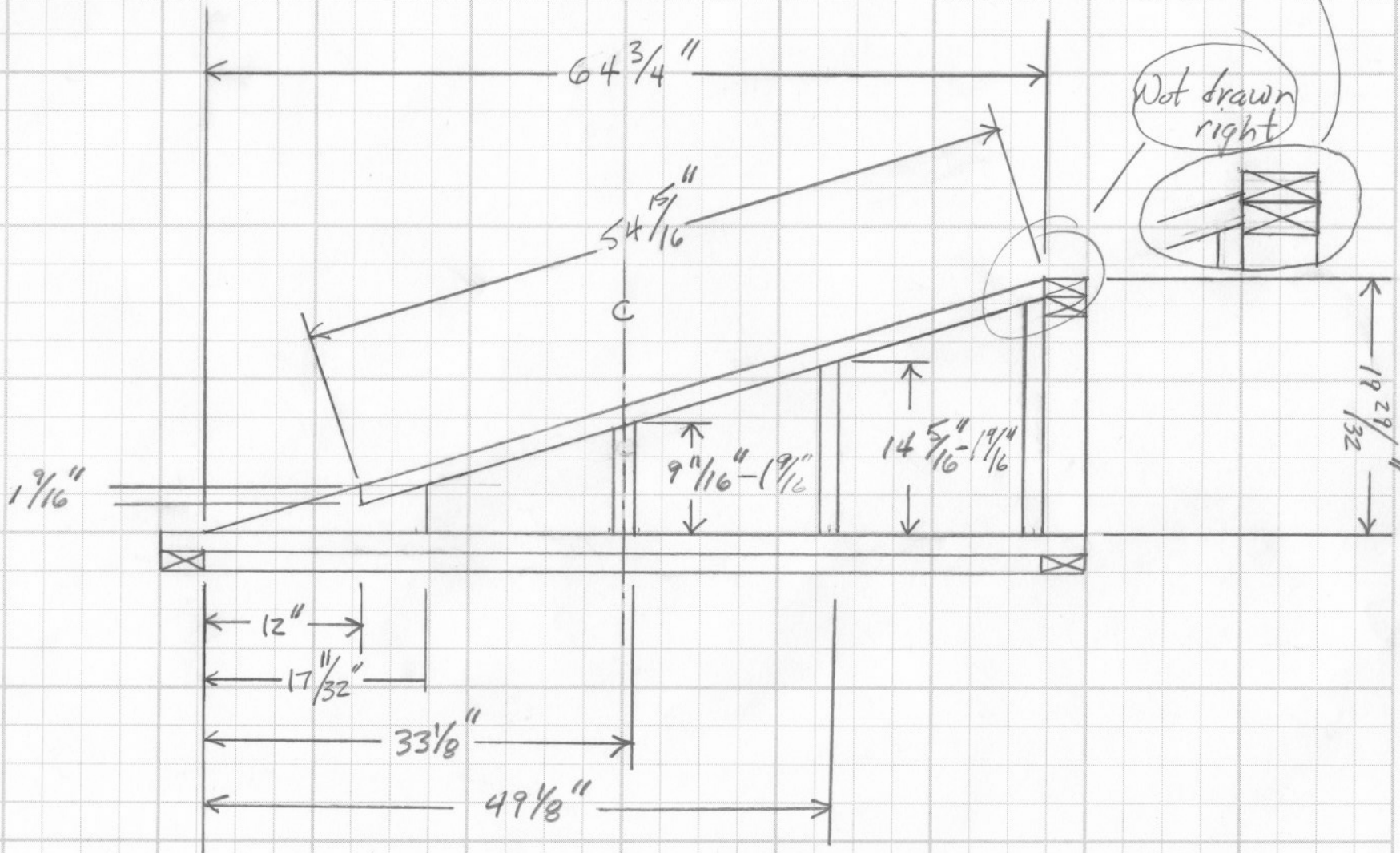


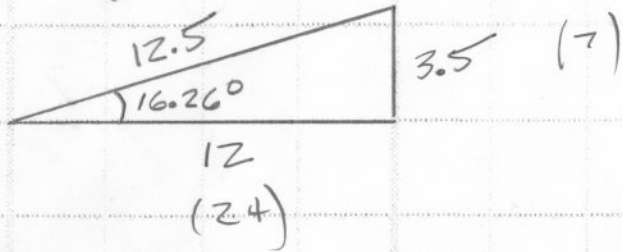
Side Cripple Wall Detail

1" = 1'



(25) 3.5:12 PITCH

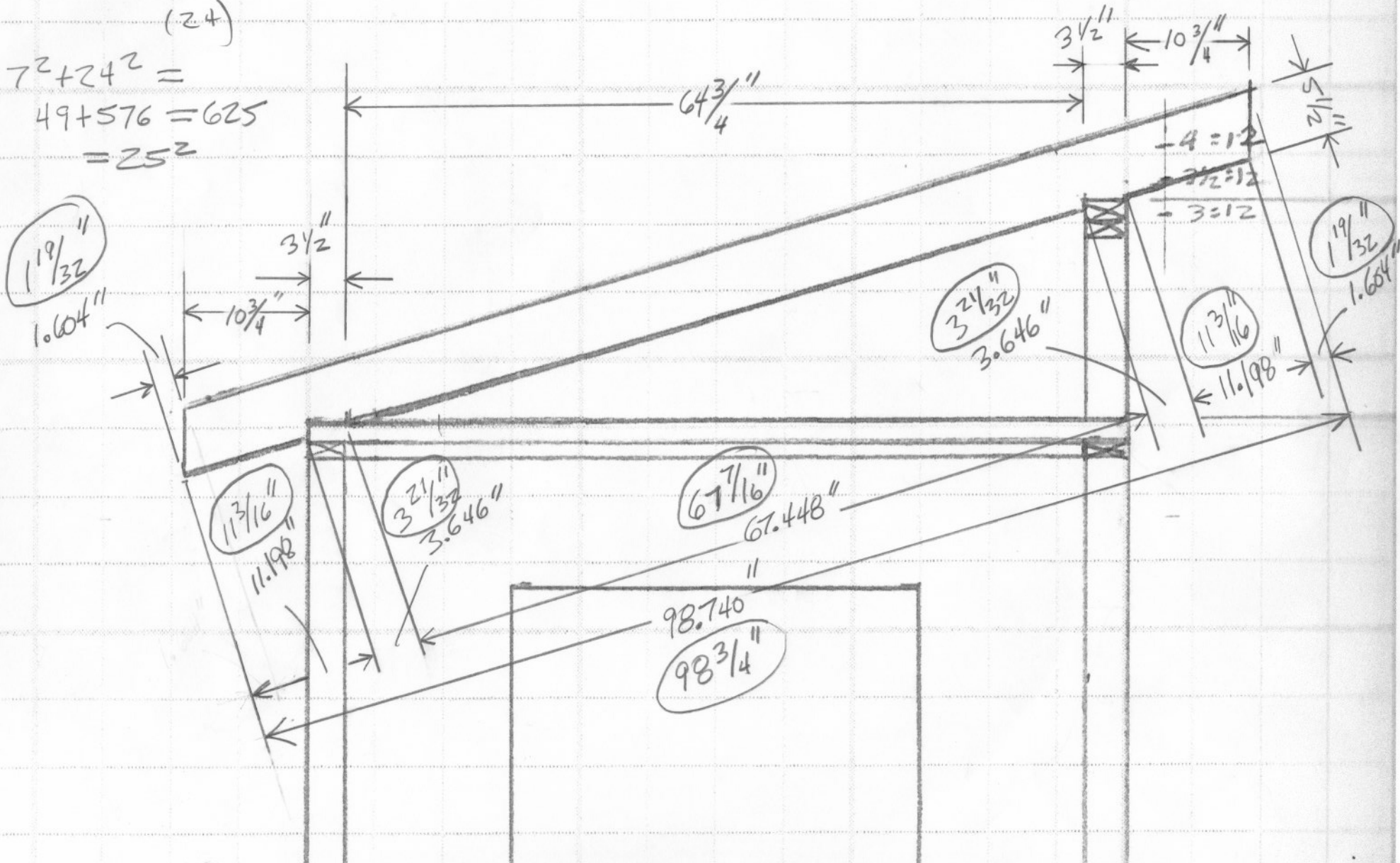
Rafter Detail 1"=1" scale



$$7^2 + 24^2 =$$

$$49 + 576 = 625$$

$$= 25^2$$



$$93\frac{1}{4}'' \times \frac{25}{24} = 97\frac{1}{8}''$$

$$17\frac{1}{16}'' \times \frac{25}{24} = 17\frac{3}{4}''$$

Rafter Ladder Detail 1"=1"

Rafter ladder length = $14\frac{1}{2}''$

